

HEVI-LOAD UNITS 0,1,2 & 3

Always Hevi-Load Units are designed and manufactured to precise standards.

They offer the highest performance available in load transfer applications with load ball sizes from 12.7mm to 50.8mm diameters and a load capacity range from 35kg to 2000kg used either ball up or ball down.

Hevi-Load Units run on the re-circulating ball principal. The load ball rotates on a bed of small balls supported on a hardened steel, precision machined table.

They can work at maximum capacity in temperatures from - 30°C to +100°C.

Drain hole or grease points can be incorporated on request.

No spanner flats for 7110 and 7106 Hevi-Load Units. *Models marked with an asterisk have a bearing shell and are assembled with no felt seal.

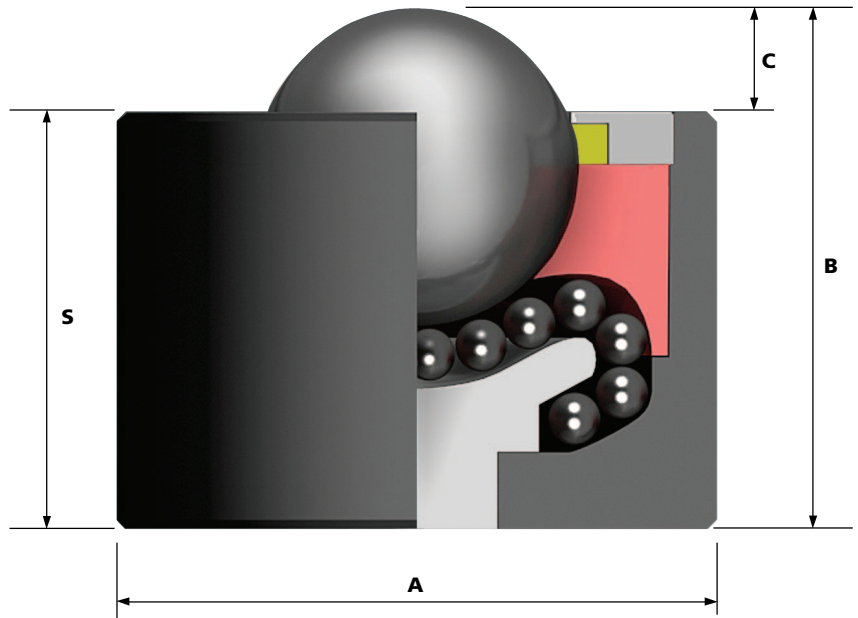
Type 15 Units (all stainless steel) available on request. When using stainless balls, reduce Type 13 load capacity by 33.3%.

All units are machined using CNC machines from one piece of steel, therefore flanges and threads are integral.

All hevi-load units have a zinc iron black coated housing for corrosion resistance.

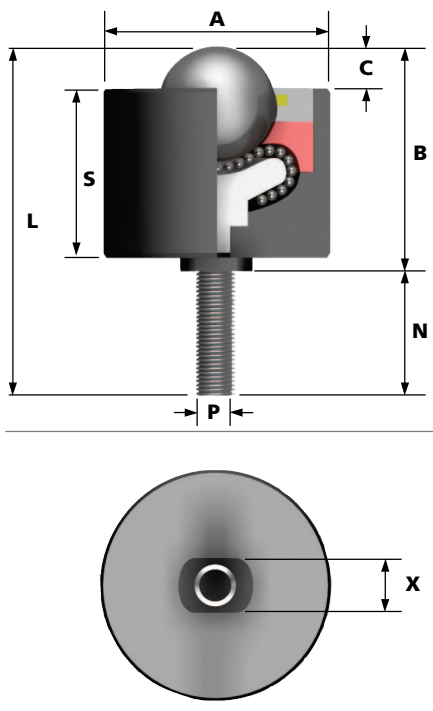
HEVI-LOAD 0

Features: High load capacity, robust body.
 The Hevi-Load 7121 is dimensionally compatible with the Hi-Tech 6025-0.



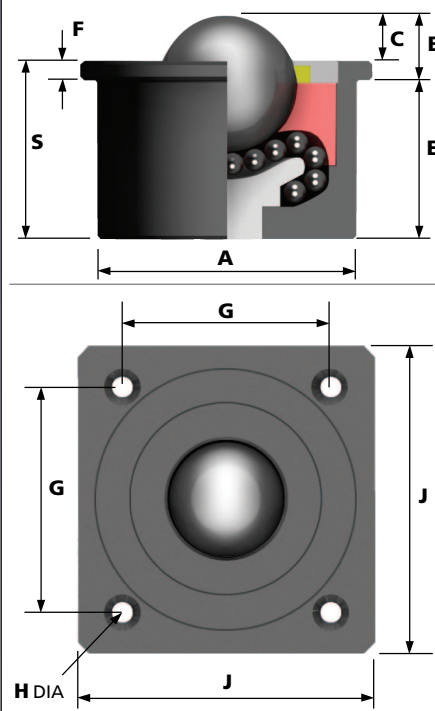
HEVI-LOAD 1

Features: High load capacity, bolt fixing. Two spanner flats for fixing and removing. Drill hole fixing. Maximum tightening torques range from 15Nm for M8 to 25Nm for M24.



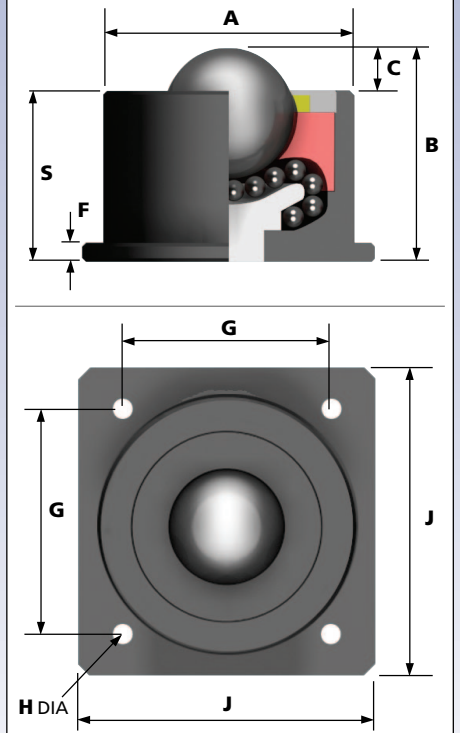
HEVI-LOAD 2

Features: High load capacity, top flange fixing. The Hevi-Load 7125 is dimensionally compatible with the Hi-Tech 6025-2.



HEVI-LOAD 3

Features: High load capacity, bottom flange fixing. Drill hole fixing. The Hevi-Load 7123 is dimensionally compatible with the Hi-Tech 6025-3.



PATTERN	REF No.	BALL SIZE (mm)	WEIGHT (KGS)	DIMENSIONS (mm)								DYNAMIC LOAD CAPACITY (kg)	
				A	B	C	L	N	S	P	X	TYPE 13 Carbon Steel Balls.	TYPE 16 Stainless Steel Balls.

HEVI-LOAD 0	7101*	12.7	0.036	20.6	19.6	3.5	-	-	16.1	-	-	35	35
	7120	25.4	0.394	44.5	41.4	5.6	-	-	35.8	-	-	135	135
	7121		0.550	50.8	44.7	6.1	-	-	38.6	-	-	320	215
	7150	38.1	1.0	60.0	61.5	13	-	-	48.5	-	-	1000	670
	7170	50.8	5.02	101.6	98.4	14.3	-	-	84.1	-	-	2000	1330

HEVI-LOAD 1	7110*	12.7	0.042	20.6	19.6	3.5	35.8	16.2	16.1	5/16" UNF	-	35	35
	7106*									M8			
	7127	25.4	0.431	44.5	48.3	5.6	72.4	24.1	35.8	1/2" UNF	19	135	135
	7128									M12			
	7130	38.1	0.581	50.8	51.3	6.1	77	25.7	38.6	M12	19	320	215
	7131									1/2" UNF			
	7153	38.1	1.14	60.0	73.5	13	114.3	40.8	48.5	M20	30	1000	670
	7154									3/4" UNF			
	7172	50.8	5.26	101.6	109.1	14.3	159	49.9	84.1	M24	38	2000	1330
7173	1" UNF												

Shinitzky Artzi Ltd
 Tel: +972-3-6881575
 Fax: +972-3-6872797
 www.alwayse.co.il

DIMENSIONS (mm)										DYNAMIC LOAD CAPACITY (kg)	
A	B	C	E	F	G	H	J	S		TYPE 13 Carbon Steel Balls.	TYPE 16 Stainless Steel Balls.

Hevi-Load ball units Ref. No's 7104 and 7103 have a round flange with two fixing holes.

HEVI-LOAD 2	7104*	12.7	0.082	23.8	11.2	3.5	11.2	3.2	34.8 ±0.2	2x3.6	44.5	19.1	35	35
	7124	25.4	0.463	44.5	10.3	5.6	31.3	4.7	44.5 ±0.2	4x5.6	57.2	36	135	135
	7125		0.746	50.8	13.0	6.1	32.0	6.9	57.9 ±0.2	4x7.1	76.2	38.9	320	215
	7152	38.1	1.24	60.0	25.4	13	35.8	12.4	-	-	-	48.2	1000	670
	7171	50.8	6.14	101.6	33.3	14.3	65.0	19.0	101.6 ±0.2	4x11	127.0	84	2000	1330

HEVI-LOAD 3	7103*	12.7	0.086	23.8	22.6	3.5	-	3.2	34.8 ±0.2	2x3.6	44.5	19.1	35	35
	7122	25.4	0.459	44.5	41.4	5.6	-	4.8	44.5 ±0.2	4x5.6	57.2	35.8	135	135
	7123		0.735	50.8	45.5	6.4	-	6.3	57.9 ±0.2	4x7.1	76.2	39.1	320	215
	7151	38.1	1.3	60.0	62.2	13	-	12.4	-	-	-	49.2	1000	670
	7174	50.8	5.52	101.6	98.3	14.3	-	9.6	101.6 ±0.2	4x11	127.0	84.0	2000	1330

To order, specify REF N° and TYPE, i.e. 7101-13.

General Tolerance unless stated ±0.3mm