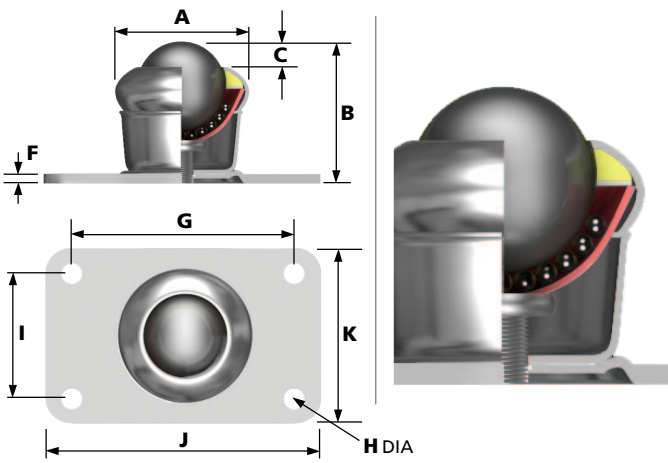


BASE FIXING UNITS

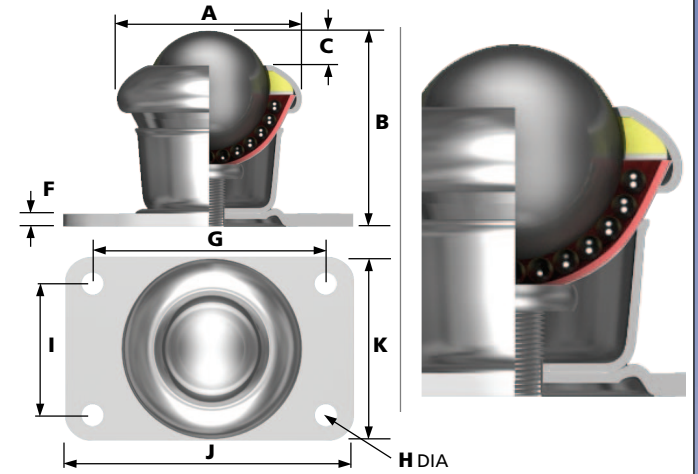
3005

Features: Heavy duty fixing. High profile. Drill hole fixing.
 Optional extras: Dirt exit hole.



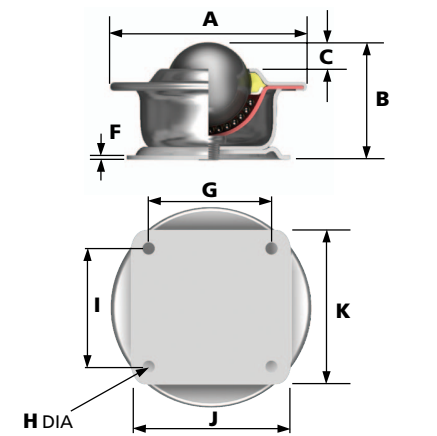
1005

Features: Heavy duty fixing. High profile. Drill hole fixing.
 Optional extras: Dirt exit hole.



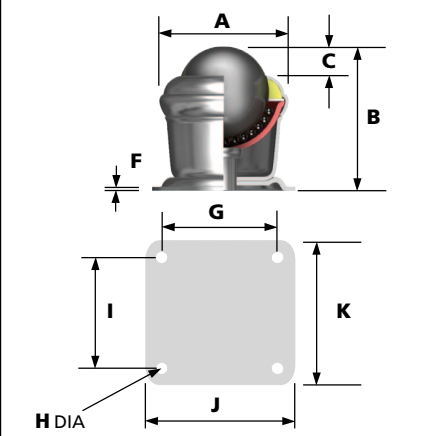
1020

Features: Heavy duty fixing. High load capacity. High profile. Drill hole fixing.
 Optional extras: Dirt exit hole.



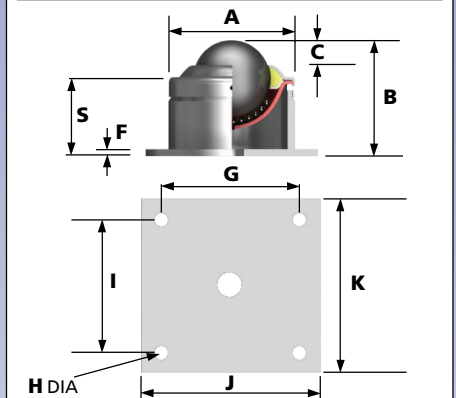
2003

Features: Heavy duty fixing. High load capacity. High profile. Drill hole fixing.
 Optional extras: Dirt exit hole.



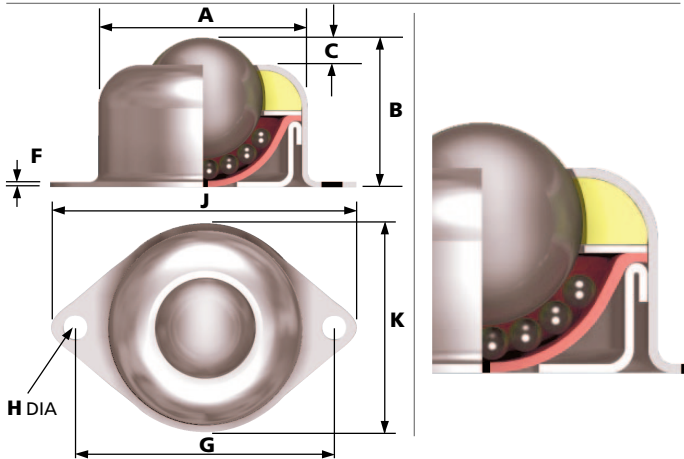
4002

Features: Heavy duty fixing. High load capacity. High profile. Dirt exit hole standard. Drill hole fixing. Can be dismantled for cleaning.
 Optional extras: Grease points can be fitted.



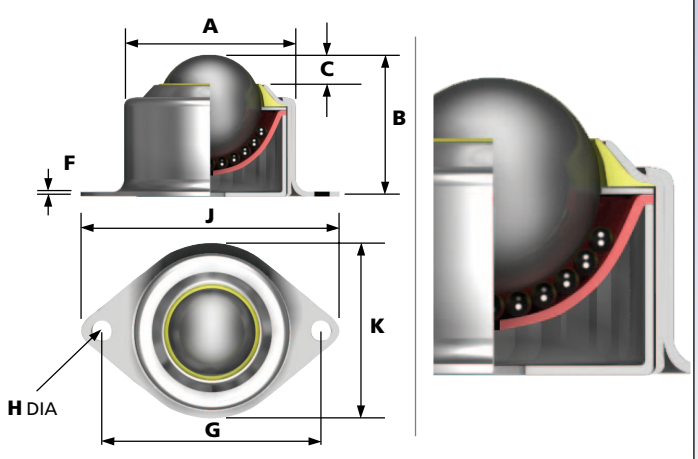
1006

Features: High load capacity. High profile. Dirt exit hole standard. Drill hole fixing. The 1041 and 1050 ball units are similar in design to the 1006 ball unit.



1503

Features: High load capacity. High profile. Dirt exit hole standard. Drill hole fixing. Plastic knife edge seal on main ball.



REF No.	BALL SIZE (mm)	FIXING HOLES No. of holes	WEIGHT (KGS)	DIMENSIONS (mm)										
				A	B	C	F	G	H	I	J	K	S	
				Max Diameter	Working Height of Ball	Ball Exposure above Outer Ring	Base Thickness	Hole Centres (Length)	Hole Diameter of Fixing Holes	Hole Centres (Width)	Base Plate (Length)	Base Plate (Width)	Base to Top of Body	

MAXIMUM DYNAMIC LOADING (kg)							
TYPE 13		TYPE 14		TYPE 15		TYPE 16	
Carbon Steel Bearings, Zinc Plated Pressings		Nylon Load Bearing, Zinc Plated Pressings		Stainless Steel Bearings and Pressings		Stainless Steel Bearings, Zinc Plated Pressings	
LOAD UP	LOAD DOWN	LOAD UP	LOAD DOWN	LOAD UP	LOAD DOWN	LOAD UP	LOAD DOWN

3005	19	4	0.100	32.1	32.5	4.7	2.0	49.2 ±0.2	6.3	25.4 ±0.2	65	38	-
1005	25.4	4	0.160	39.7	41.3	6.3	2.0	49.2 ±0.2	6.3	25.4 ±0.2	65	38	-

25	10	20	10	25	10	25	10
55	25	25	10	55	25	55	25

1020	31.7	4	0.380	73	44.4	8	2.0	47.6 ±0.2	4.8	47.6 ±0.2	58.7	58.7	-
2003	39.7	4	0.480	55.5	57	11.9	2.0	47.6 ±0.2	4.8	47.6 ±0.2	58.7	58.7	-
4002	50.8	4	2.100	89	76	14.3	6.3	89 ±0.2	13.5	89 ±0.2	127	127	54

125	55	25	10	125	55	125	55
140	60	N/A	N/A	140	60	140	60
340	100	N/A	N/A	250	100	340	100

Shinitzky Artzi Ltd
 Tel: +972-3-6881575
 Fax: +972-3-6872797
 www.alwayse.co.il

1041	15.8	2	0.042	27.5	20.0	4.0	0.9	40.0 ±0.2	5.2	-	50.0	35.0	-
1006	25.4	2	0.160	44.5	30.5	6.3	1.0	60.3 ±0.2	5.0	-	69.0	51.0	-
1050	25.4	2	0.145	42.0	31.0	7.5	1.0	56.0 ±0.2	5.5	-	69.0	51.0	-
1503	25.4	2	0.200	42	35.8	6.1	1.75	58.7 ±0.2	5.0	-	69.0	51.0	-

20	10	10	5	20	10	20	10
55	25	25	10	55	25	55	25
30	10	20	10	30	10	30	10
100	50	25	10	100	50	100	50

To order, specify REF N° and TYPE, i.e. 3005-13.

General Tolerance unless stated ±0.3mm