

# GLIDE-ALWAYSSE UNITS & FIXING SOCKETS

This is a simple and inexpensive range of ball transfer units which have a large ball exposure. They are ideal for lighter duties and where there is a cost consideration.

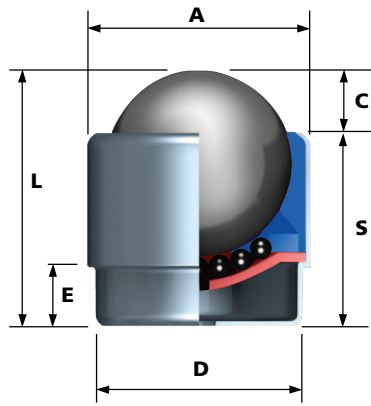
All units are fitted with a seal which simply and effectively removes debris by an internal plastic scraper.

The direction of rotation slightly moves the ball against the seal providing a highly effective cleaning action.

For normal applications steel bearings with zinc plated pressings and components are recommended. However, when used as a castor or in wet conditions stainless steel (Type 15) is recommended.

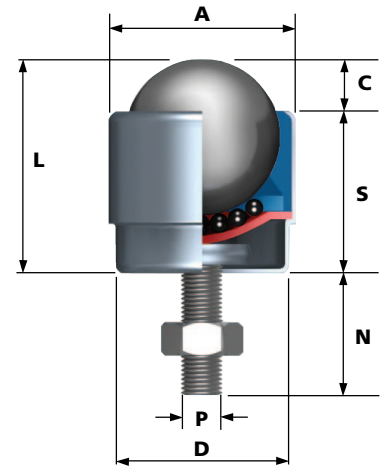
## 1700 PLUG FIXING

Features: Plain body, dirt exit hole standard.



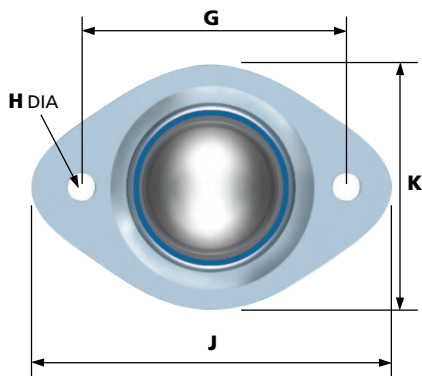
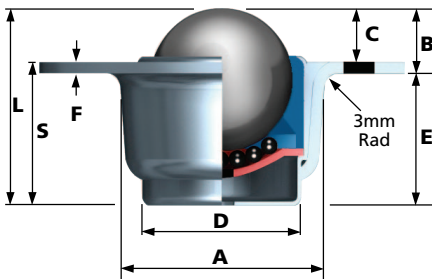
## 1701 BOLT FIXING

Features: Drill hole nut and bolt fixing. Maximum tightening torque is 15Nm.



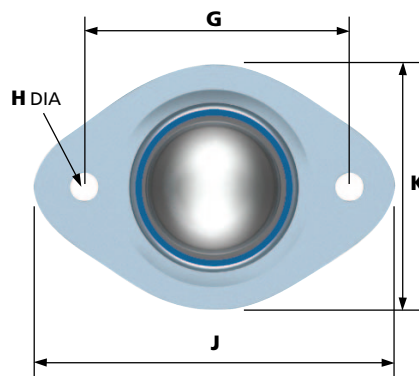
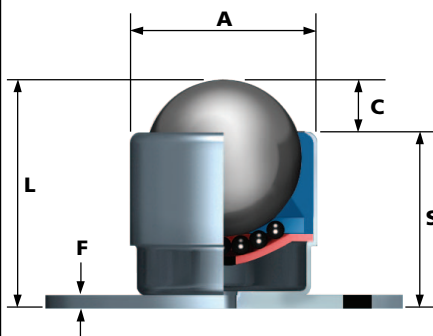
## 1702 FLANGE FIXING

Features: Low profile flange fixing, dirt exit hole standard.



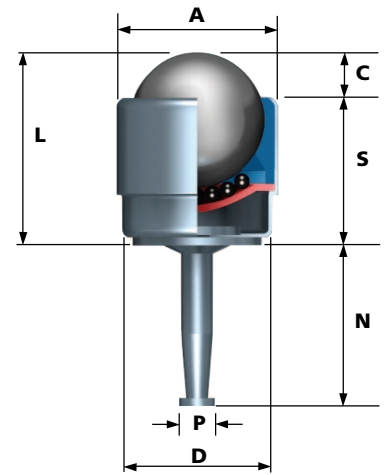
## 1703 PLATE FIXING

Features: High profile base plate fixing. Drill hole fixing. Dirt exit hole standard.



## 1709 GRIP NECK FIXING

Features: Plastic or steel socket fixing.



Shinitzky Artzi Ltd  
Tel: +972-3-6881575  
Fax: +972-3-6872797  
[www.alwaysse.co.il](http://www.alwaysse.co.il)

REF No.	FIXING	BALL SIZE (mm)	WEIGHT (kg)	DIMENSIONS (mm)														MAXIMUM DYNAMIC LOADING (kg)			
				A	B	C	D	E	F	G	H	J	K	L	N	P	S	TYPE 13	TYPE 14	TYPE 15	TYPE 16

REF No.	FIXING	BALL SIZE (mm)	WEIGHT (kg)	A	B	C	D	E	F	G	H	J	K	L	N	P	S	
1700	PLUG			25.4	0.10	30.5	-	-	-	7.8	-	-	-	-	-	-	-	-
1701	BOLT	0.12	34.5		12.4	8.8	26.6	-	-	-	-	-	-	33.5	18 23 28	M8	23.1	
1702	FLANGE	-	30.5		-	-	-	-	2	48 ±0.2	5.25	64	44	35.7	-	-	26.9	
1703	PLATE	-	-		-	-	-	-	-	-	-	-	-	-	-	-	-	-
1709	GRIP NECK	-	-		-	-	26.6	-	-	-	-	-	-	34.7	34.7	7.7	25.9	




TYPE 13	TYPE 14	TYPE 15	TYPE 16
Carbon Steel Bearings, Zinc Plated Pressings	Nylon Load Bearing, Zinc Plated Pressings	Stainless Steel Bearings & Pressings	Stainless Steel Bearings, Zinc Plated Pressings
50	20	50	50

To order, specify REF N° and TYPE, i.e. 1700-13.

General Tolerance unless stated ±0.3mm

Shinitzky Artzi Ltd  
 Tel: +972-3-6881575  
 Fax: +972-3-6872797  
 www.alwayse.co.il

### FIXING SOCKETS FOR GLIDE-ALWAYSE 1704 & 1709

REF No	FOR GLIDE-ALWAYSE UNIT	TYPE	DESCRIPTION
1705	1709	GRIP NECK	 <p><b>TOOTHED STEEL SOCKET WITH 19mm HEAD DIAMETER</b> For 9.5mm x 35mm drilled hole. <b>APPLICATION: WOOD</b></p>
1707	1709	ROUND PLASTIC, SPLINED	 <p><b>ROUND, PLASTIC, SPLINED SOCKET</b> Two sizes available i.e: O/D tube 15.8mm x 1.2mm wall and O/D tube 19.0mm x either 1.2 upto 1.6 wall thickness. <b>APPLICATION: ROUND SECTION TUBE</b></p>
1708	1709	SQUARE PLASTIC, SPLINED	 <p><b>SQUARE, PLASTIC, SPLINED SOCKET</b> Two sizes available i.e: 19mm outside A/F square tube x 1.2mm upto 1.6mm wall and 25.4mm outside A/F square tube x 1.2mm upto 1.6mm wall thickness. <b>APPLICATION: SQUARE SECTION TUBE</b></p>

To order, specify REF N°, i.e. 1705.